

Grilled Screening Bucket

M Series

For 10 to 24 m t carriers (28,600 à 66,000 lbs)



The grilled screening bucket of Tramac is ideal for specialised works such as: Sorting demolition material for reuse in roads, trenches...

Very useful also for cleaning stony terrain.

Grilled Screening Bucket - M Series

Many Advantages:

- 3 easy interchangeable grills available (50x200, 28x100, 50x50 mm)
- Complete structure made in Hardox 400, for improved durability.
- High productivity with the high speed alternate jumping movement of the grills.
- Increased durability thanks to the safety valve protecting the hydraulic circuit of the bucket (pressure and flow)
- Low level of vibration transmitted to the carrier boom.

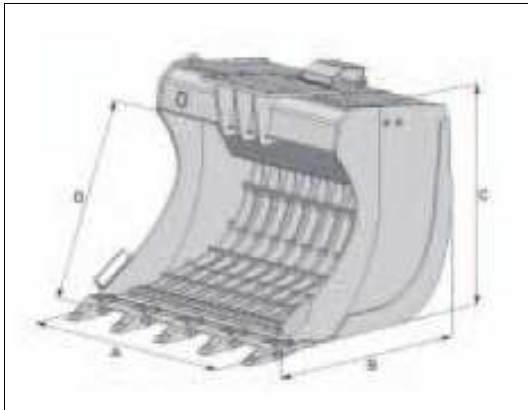
For dimensions and specifications, see back of this page.



Grilled Screening Bucket

Specifications and Dimensions

MODEL		GSB-15	GSB-20
A	mm / in	1200 / 47	1500 / 59
B	mm / in	1290 / 51	1410 / 55.5
C	mm / in	1220 / 48	1430 / 56.3
D	mm / in	1000 / 39.4	1187 / 46.7
Oil Flow	lpm / gpm	130 / 34.3	130 / 34.3
Pressure	bar / psi	230 / 3335	230 / 3335
Capacity	l / g	750 / 170	1400 / 318
Weight	kg / lbs	1200 / 2645	1650 / 3638
Excavator weight	Met. ton	13 / 20	20 / 30
	US Ton	14.3 / 22	22 / 33



3 Screen sizes

50 x 200 mm 2 x 8 in
 28 x 100 mm 1 x 4 in
 50 x 50 mm 2 x 2 in

-Other sizes upon request



Quality and dependability: two features you can count on with every TRAMAC product.

All TRAMAC products are engineered for superior performance, manufactured to the most exacting specifications, and—within the guidelines of the industry's most rigid quality control program—thoroughly inspected at every stage of production. All working parts are precision-machined to the closest tolerances, and all materials meet or exceed the highest industry standards. These are but a few of the many vital reasons major contractors worldwide choose our products.

They know that with TRAMAC, reliability is crucial; a basic component conscientiously built into every unit that bears our name.