

Rotary Screening Bucket

M Series

For 10 to 24 m t carriers (22,000 à 52,900 lbs)



The rotary screening bucket of Tramac is ideal for specialised works such as: Screening natural material, quarry residues, sand and dry soils, as well as for clearing river-beds.

Rotary Screening Bucket - M Series

Many Advantages:

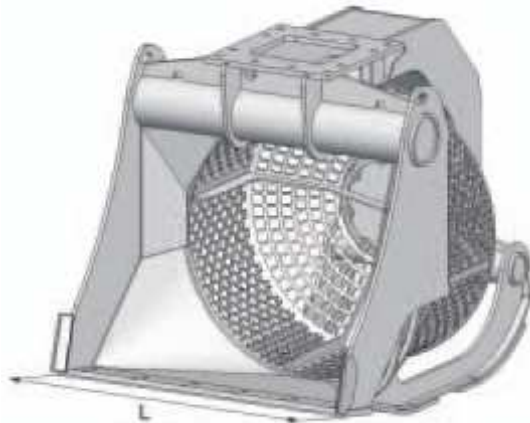
- Large choice of screen sizes for easy changing and versatility.
- Strong frame structure made in Hardox 400, for a better protection of the basket, also in the heavy duty jobs.
- Increased productivity with easy loading bucket shape, 6 teeth as standard and flat bottom frame.
- Less maintenance with special sealing against the dust.



Rotary Screening Bucket

Specifications and Dimensions

MODEL		RSB-10	RSB-14	RSB-18
L	mm	1000	1200	1500
	in	39	47	59
Oil Flow	lpm	40	40	60
	gpm	10,5	10,5	16
Pressure	bar	250	250	160
	psi	3625	3625	2320
Capacity	lt	750	1000	1500
	gal	170	227	340,5
Weight	kg	750	1000	1665
	lbs	1655	2205	3670
Excavator Weight	Metric Ton	10 / 14	14 / 18	18 / 24
	US Ton	11 / 15,4	15,4 / 19,9	19,9 / 26,5



7 Screen sizes

- 20 x 20 mm 0,8 in
- 30 x 30 mm 1,2 in
- 40 x 40 mm 1,6 in
- 50 x 50 mm 2 in
- 60 x 60 mm 2,4 in
- 70 x 70 mm 2,8 in
- 80 x 80 mm 3.2 in



Quality and dependability: two features you can count on with every TRAMAC product.

All TRAMAC products are engineered for superior performance, manufactured to the most exacting specifications, and—within the guidelines of the industry's most rigid quality control program—thoroughly inspected at every stage of production. All working parts are precision-machined to the closest tolerances, and all materials meet or exceed the highest industry standards. These are but a few of the many vital reasons major contractors worldwide choose our products.

They know that with TRAMAC, reliability is crucial; a basic component conscientiously built into every unit that bears our name.

Canada: 3421 Industrial Blvd / Laval, QC / Canada H7L 4S3 / 1-888-663-8122 / 1-450-663-8122 / FAX 1-450-663-6797

Belgium: Avenue de l'Energie, 11 / 4432 Alleur / Belgium / +32 4 263 99 84 / FAX +32 4 263 99 85

e-mail: tramac@tramac.com com <http://www.tramac.com>